

The Development of Institutions for Participation in Marine Spatial Planning on the North Sea: A Case of Cross-Scale Linkages

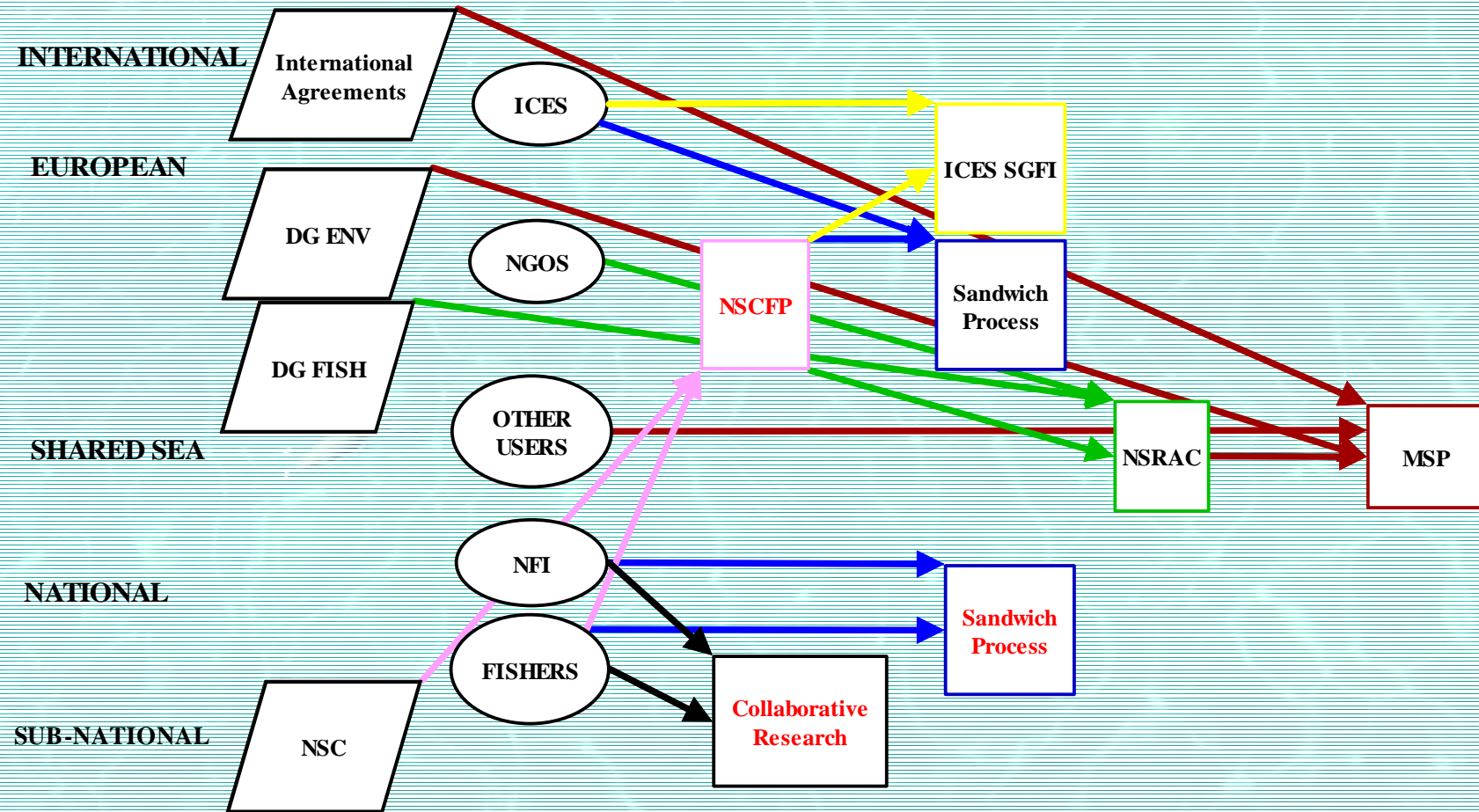
Doug Wilson and Ditte Degnbol

Innovative Fisheries Management
– an Ålborg University Research Centre

Institutions for Participation in MSP on the North Sea: A case of Cross-Scale Linkages

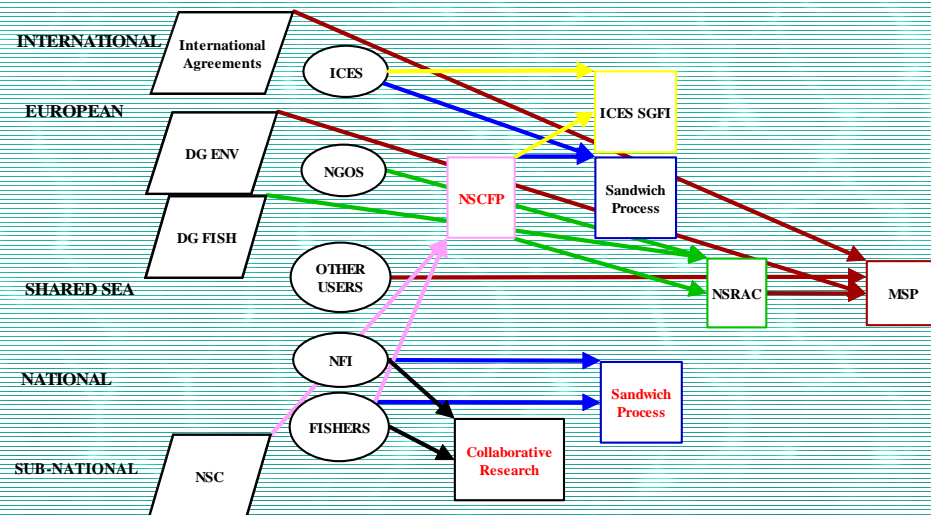
- The development of cross-scale linkages on the North sea
- Marine Spatial Planning and cross-scale processes in the North Sea RAC
- Conclusions

Cross-scale linkages



Step one

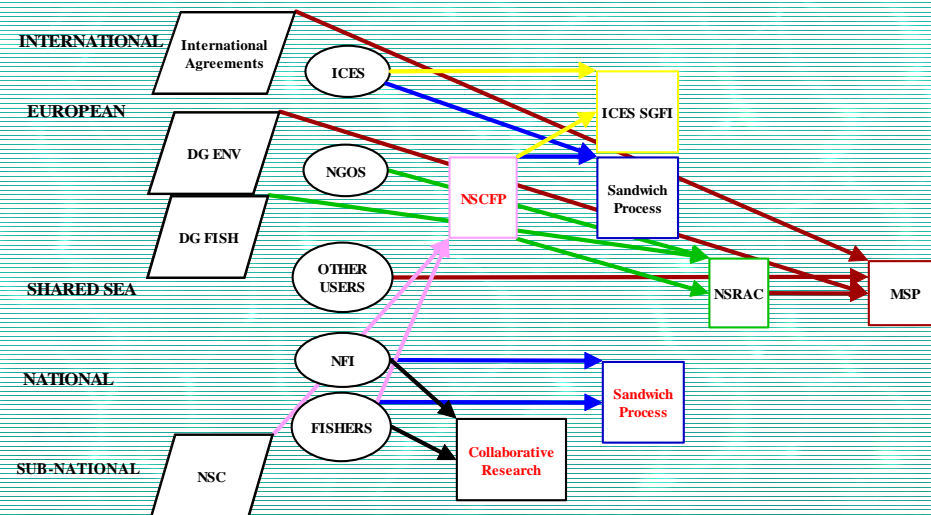
- North Sea Commission Fisheries Partnership
- Science and local knowledge



Step two

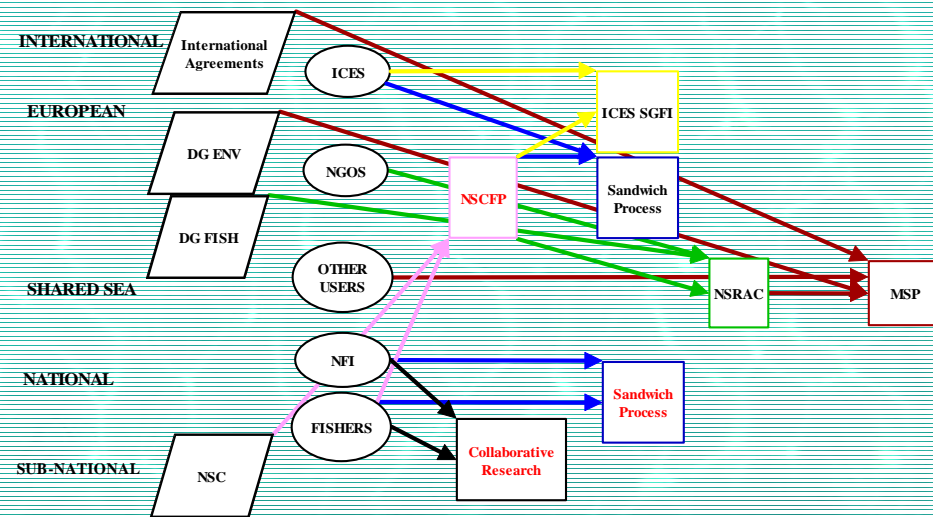
ICES responds:

- Sandwich process
- Study Group on Fishers' Information



Step three: North Sea RAC

- Seven regional advisory councils (RACs)
- NSCFP took lead in establishment of the North Sea RAC
- The joint representation of ENGOS and fishing industry central to the RACs



Environmental organisations in the NS RAC

- ENGOS in tenuous position
- ENGOS needed for legitimacy

Marine Spatial Planning

- Spatially oriented and cross-sectoral
- Tool for implementing the ecosystem approach
- Raises direct need for cross-scale linkages:
 - Introduces more stakeholders to the discussion
 - Presupposes enhanced dialogue across sectors and scales
 - Requires new kinds of information as a basis for decision-making

Potential role for the NS RAC

Potentials and dilemmas connected to:

- New role in knowledge base
- Enhanced dialogue between ENGOs, industry and researchers

Confronting MSP: Concerns for sharing information

- How will the data be used?
- Key fishing grounds does not imply non-fishing grounds
- Permanent spatial allocation collides with the dynamic nature of fishing
- Conflating MSP and MPAs

Advantages from MSP

- Being consulted in the planning of other activities
- Putting fisheries on the map

Enhanced dialogue

- Strategic inspiration
- Handling uncertainty
- Shifting alliances requires acting 'honourably'

Cross-scale linkages – a means of handling increasing complexity

- Marine Spatial Planning and the North Sea RAC encourage cross-scale linkages
- Moving beyond good intentions
- Increased complexity requires adaptive co-management

Cross-scale linkages – a means of handling increasing complexity

- Marine Spatial Planning and the North Sea RAC encourage cross-scale linkages
- Moving beyond good intentions
- Increased complexity requires adaptive co-management

